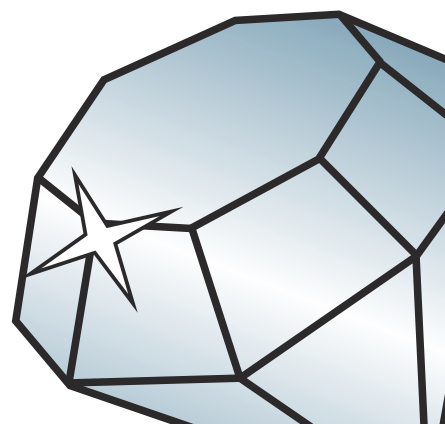


Royale Putty-line

Transom Section Identification



DURATION
WINDOWS

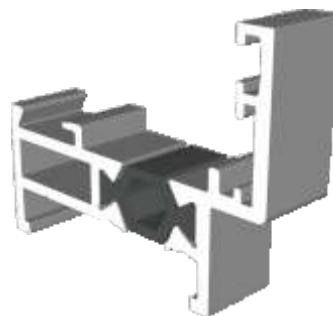
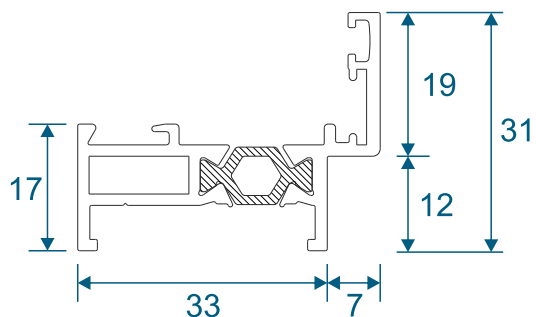


Contents

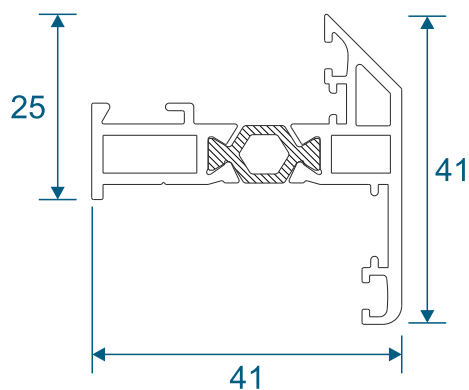
Outer Frame, Sash & Transom	3
Beads & Extensions	4
Cills	5
Astragal Bars	6
Fixed Windows	7
With & Without A Cill	
Opening Windows	8
With & Without A Cill	
Extensions	
37mm For Trickle Vents	9
20mm Frame Extension	10
Transom & Mullion Sections	
Fixed Next To Fixed	11
Opener Next To Fixed	11
Opener Next To Opener	12
Astragal Bars	13
19mm Flat In - 'A' Shaped Out	
19mm Flat In & Out	
25mm Flat In & Out	

Outer Frame, Sash & Transom

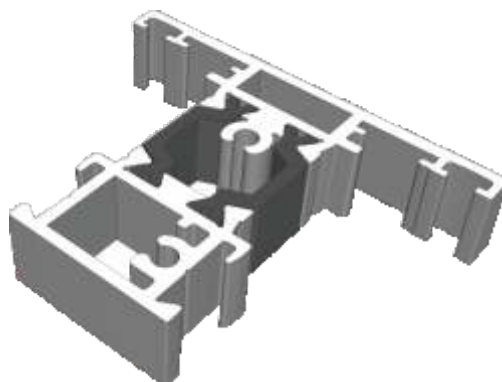
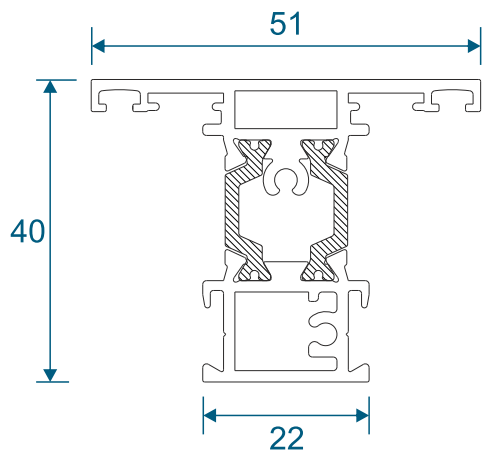
SW0052-0053 - Equal Leg Frame



SW0004-0030 - Sash

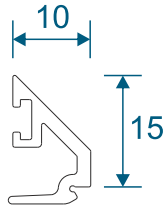


SW0050-0051 - Transom / Mullion

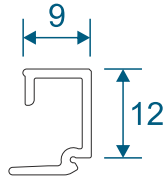


Beads & Extensions

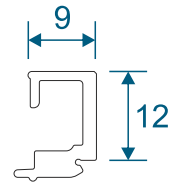
SW0057 - Fixed Bead



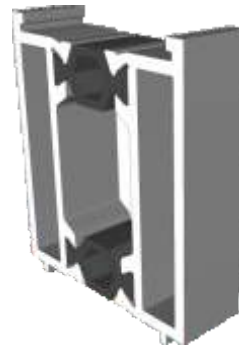
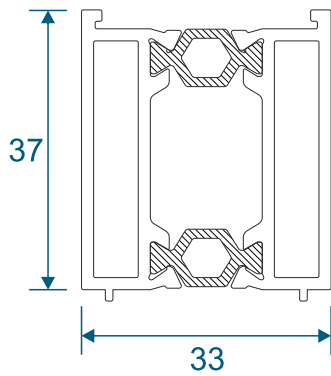
SW0011 - Opener Bead



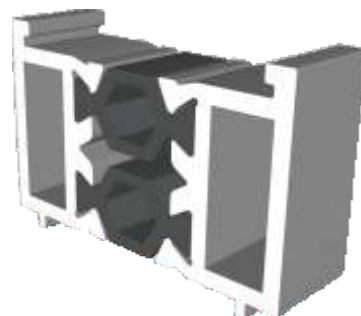
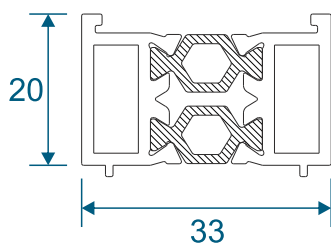
SW0012 - Handle Bead



SW0018-0018 - 37mm Extension (For Trickle Vents)

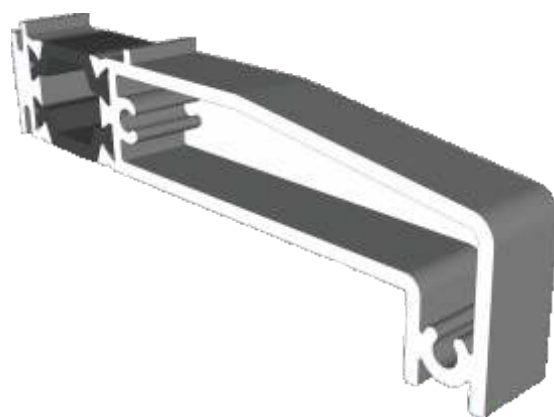
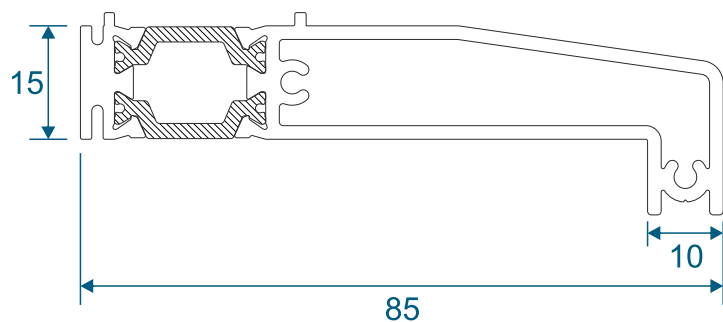


SW0026-0026 - 20mm Frame Extension

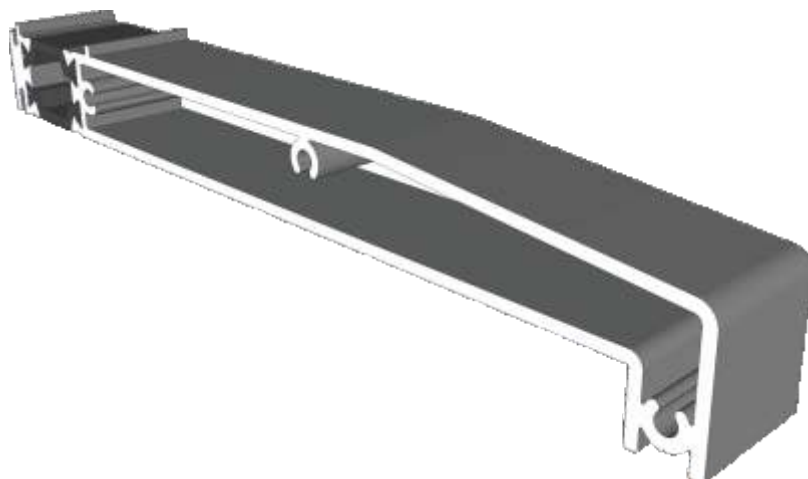
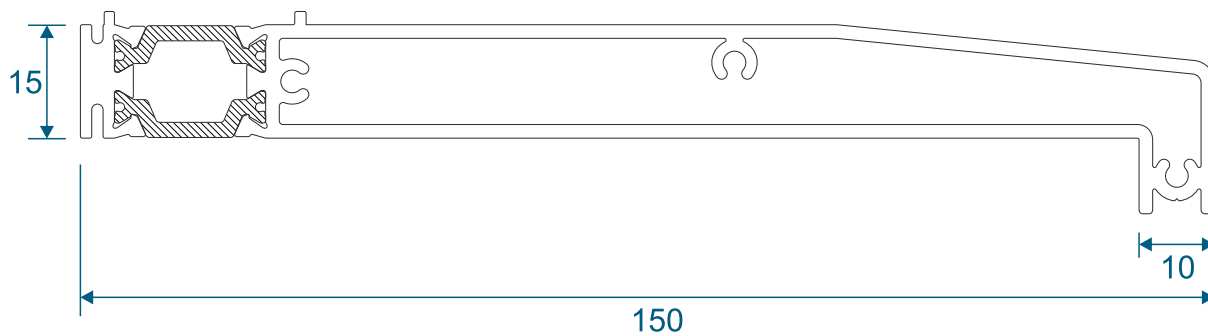


Cills

SW0022-0023 - 85mm Cill

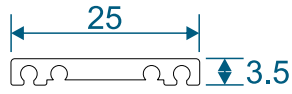


SW0022-0024 - 150mm Cill

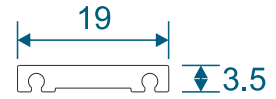


Astragal Bars

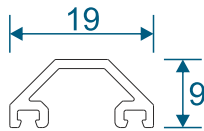
ZSB246 - 25mm Flat Astragal Bar



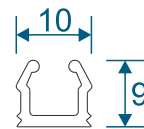
ETC582 - 19mm Flat Astragal Bar



SW0031 - 'A' Shaped Astragal Bar

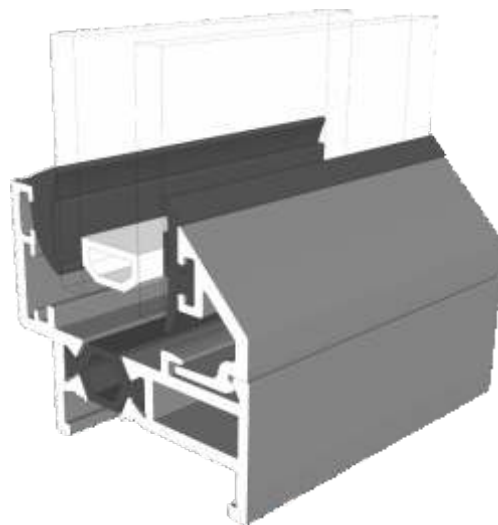
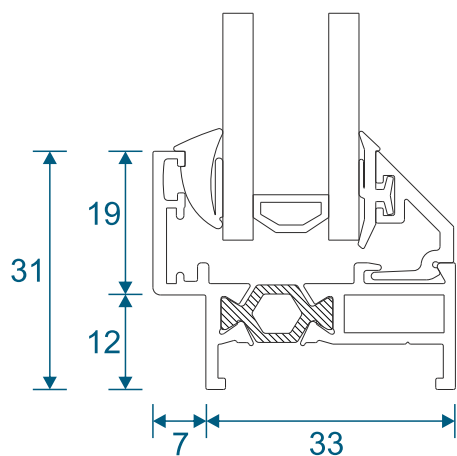


DUR 06 - Clip For 'A' Shaped Astragal Bar

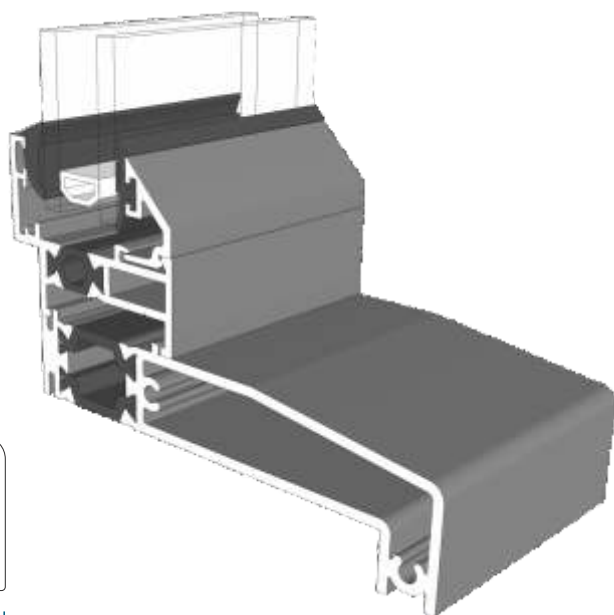
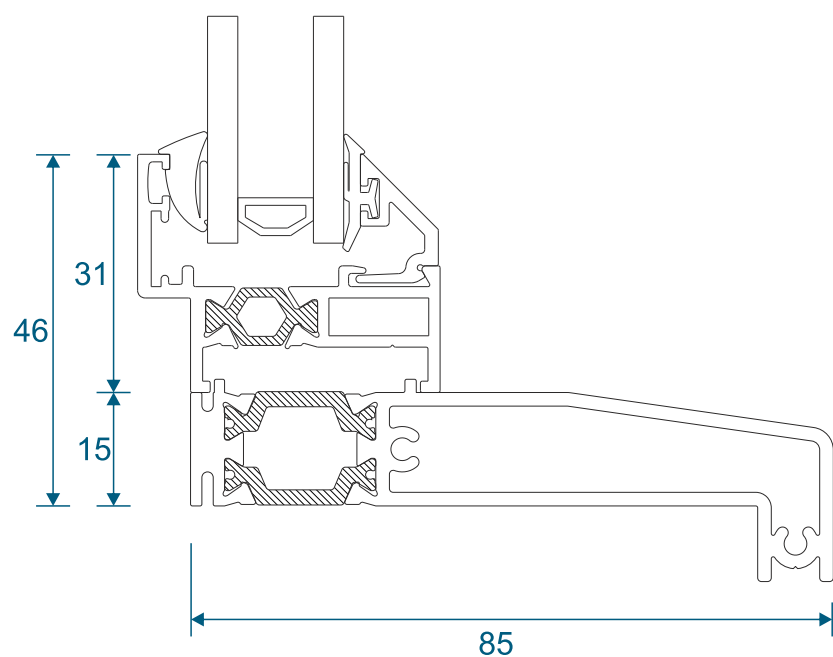


Fixed Windows

SW0052-0053 - No Cill

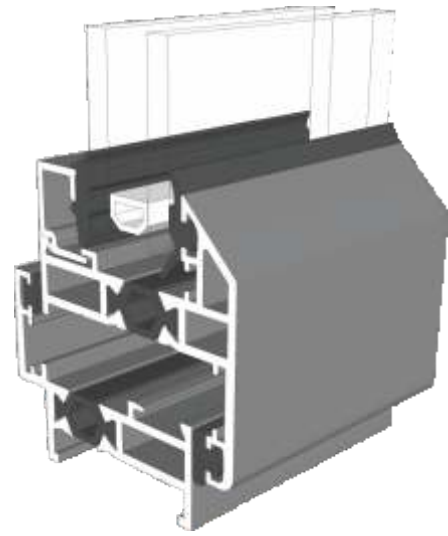
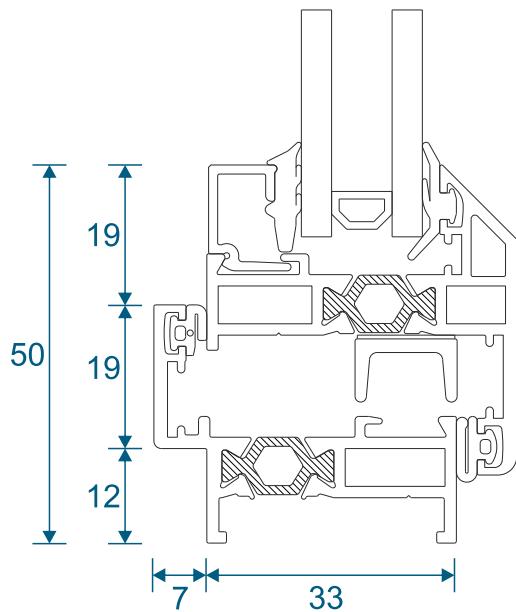


SW0052-0053 - With 85mm Cill

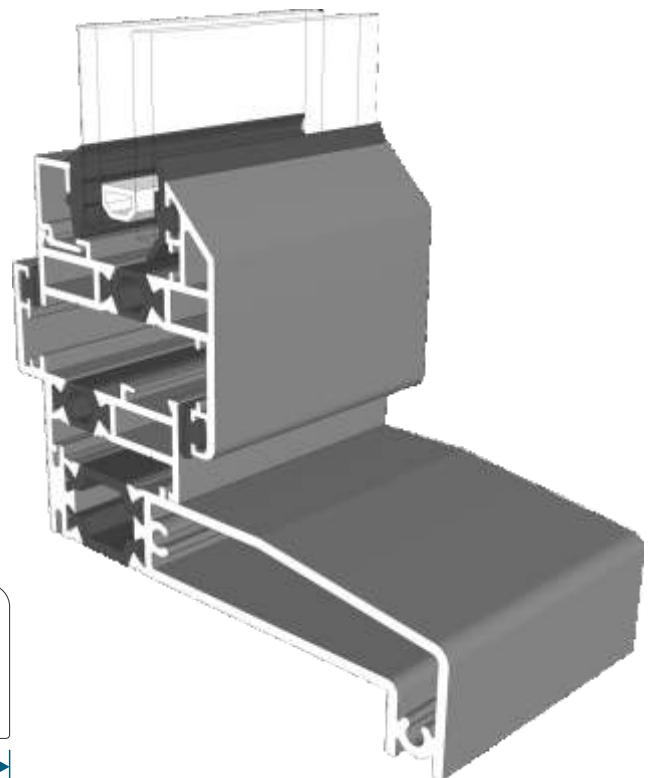
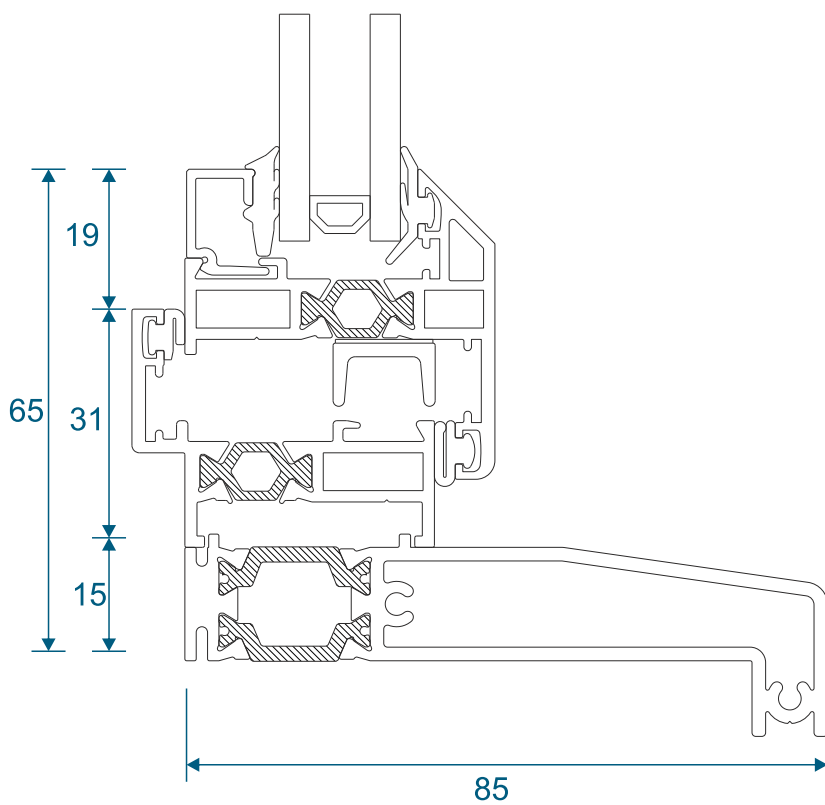


Opening Windows

SW0052-0053 / SW0004-0030 - No Cill

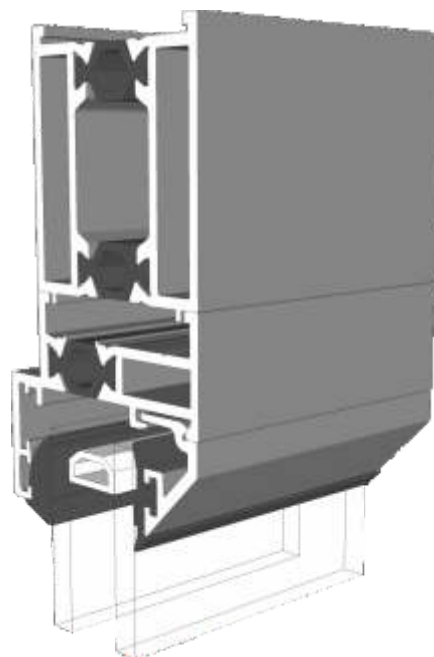
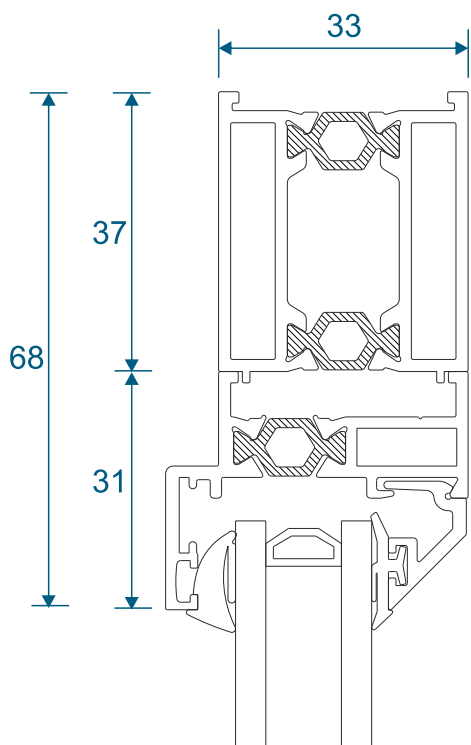


SW0052-0053 / SW0004-0030 - With 85mm Cill

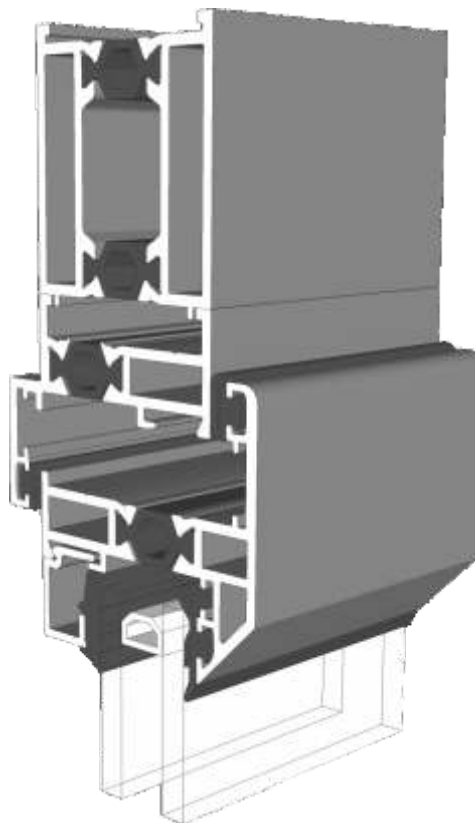
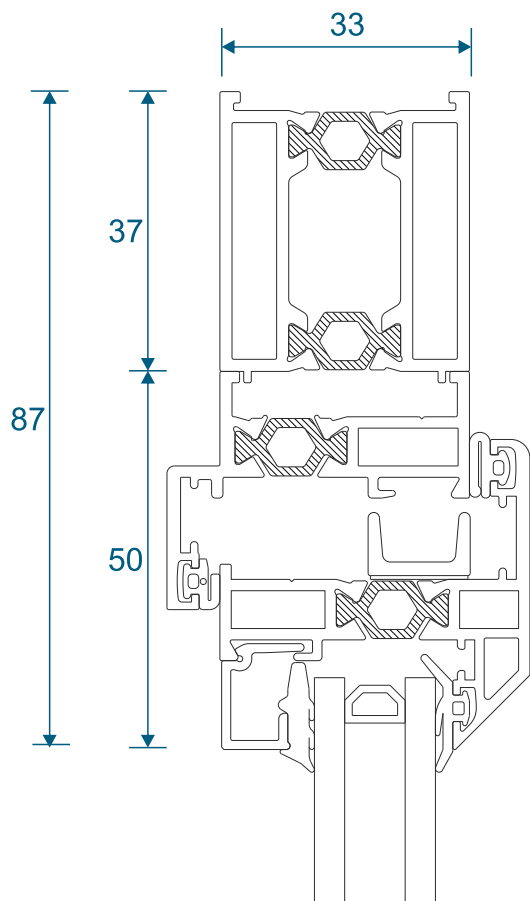


Head With 37mm Extension

Fixed

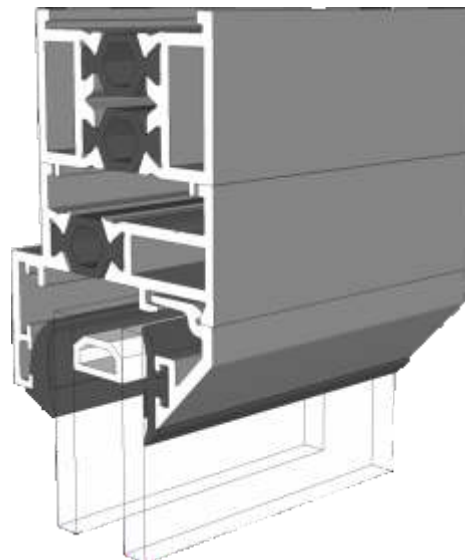
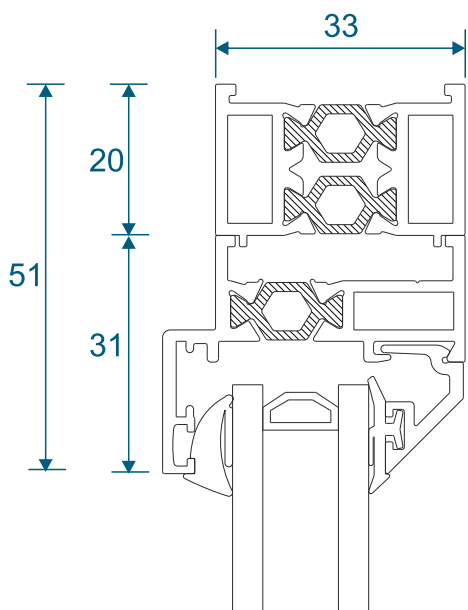


Opener

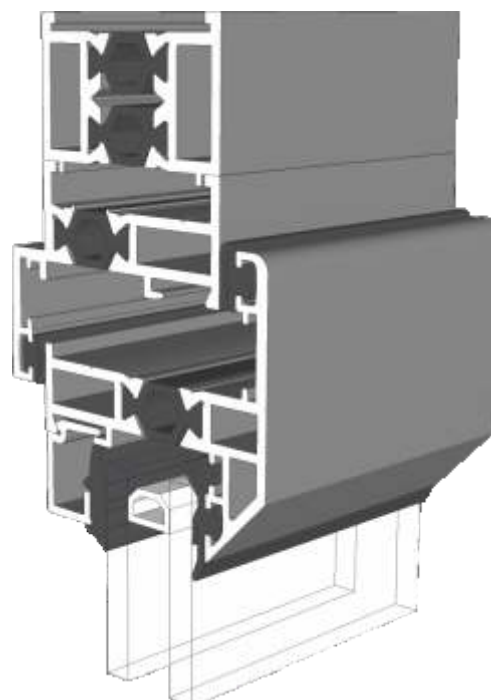
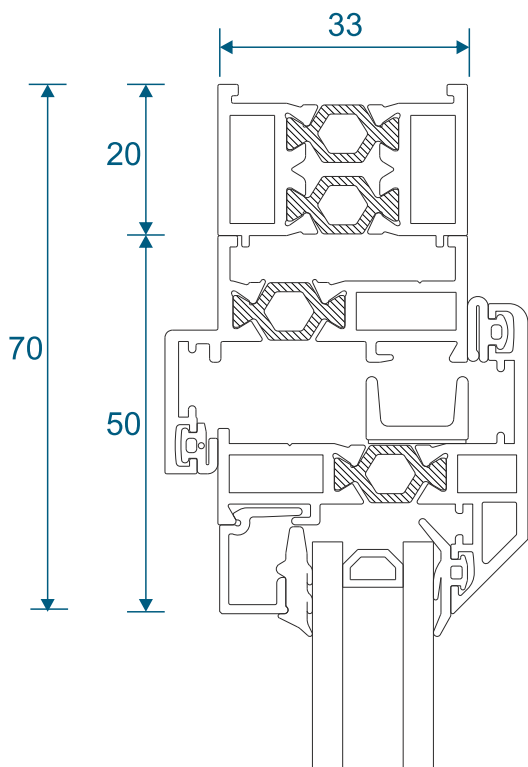


Head With 20mm Extension

Fixed



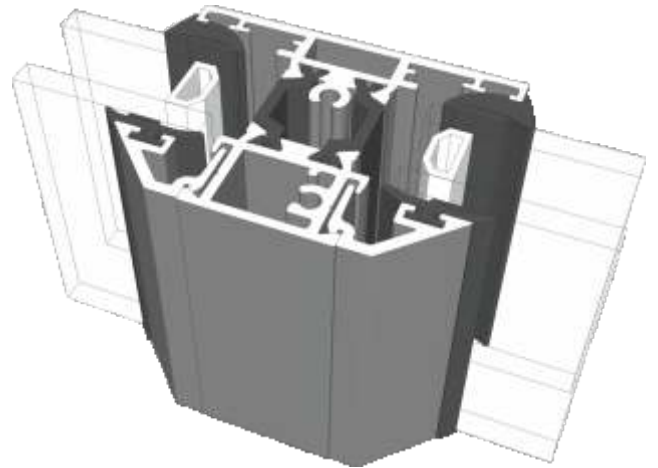
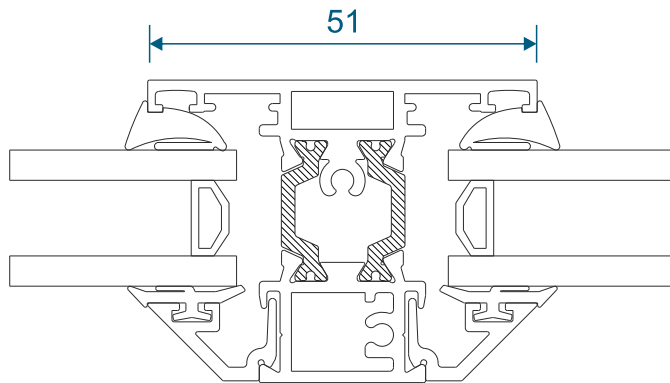
Opener



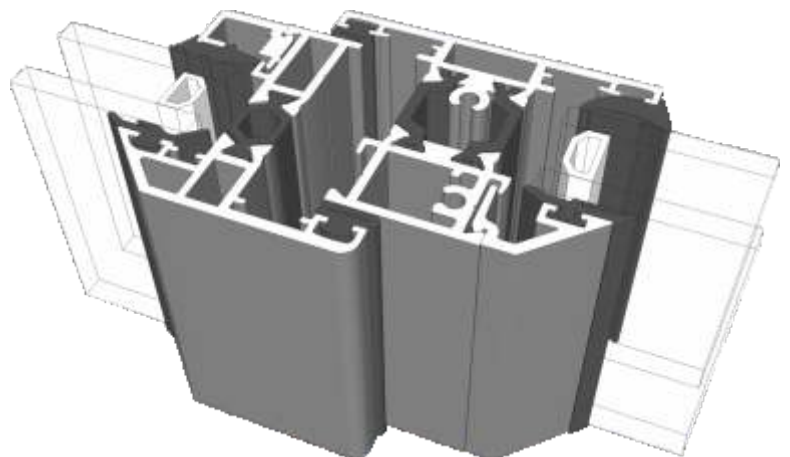
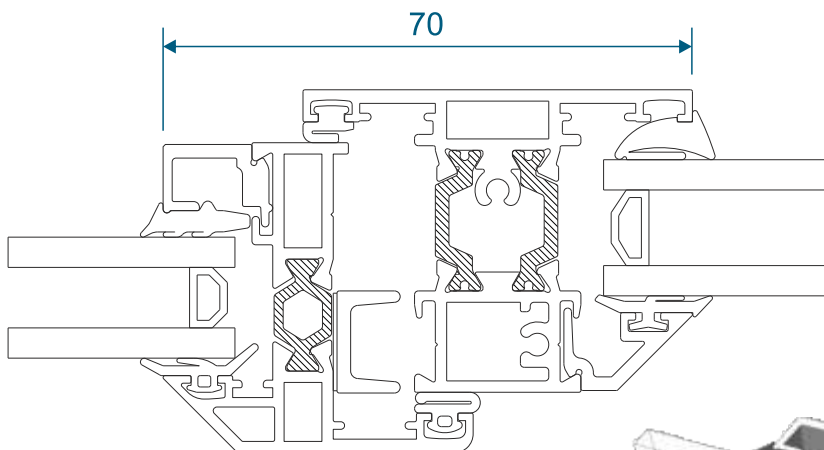
Please note this extension can be used to any of the sides where needed.

Transom / Mullion Sections

Fixed Next To Fixed

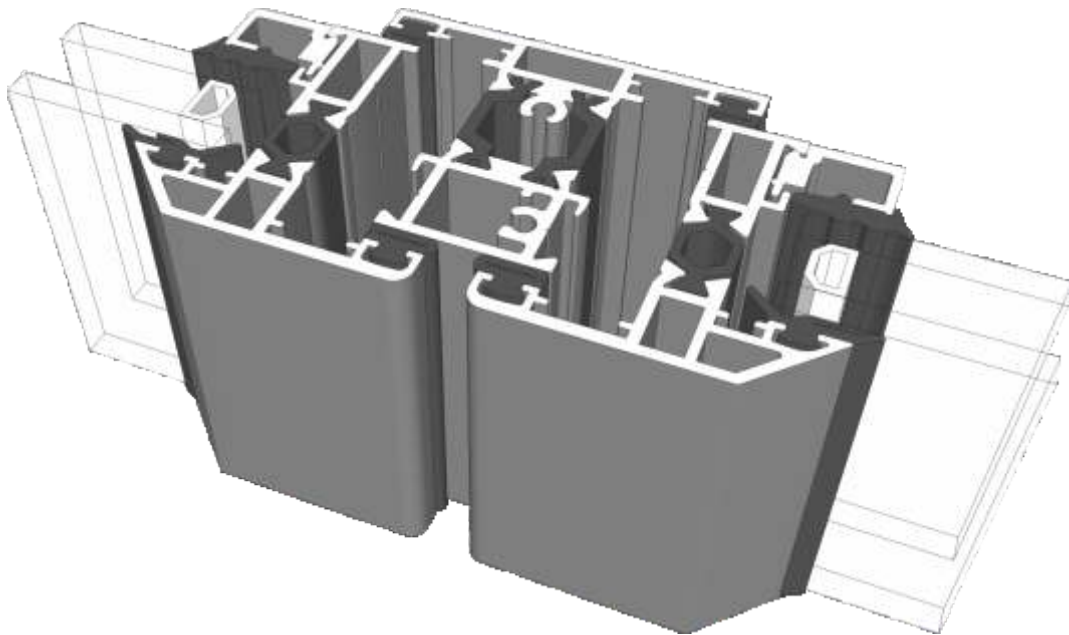
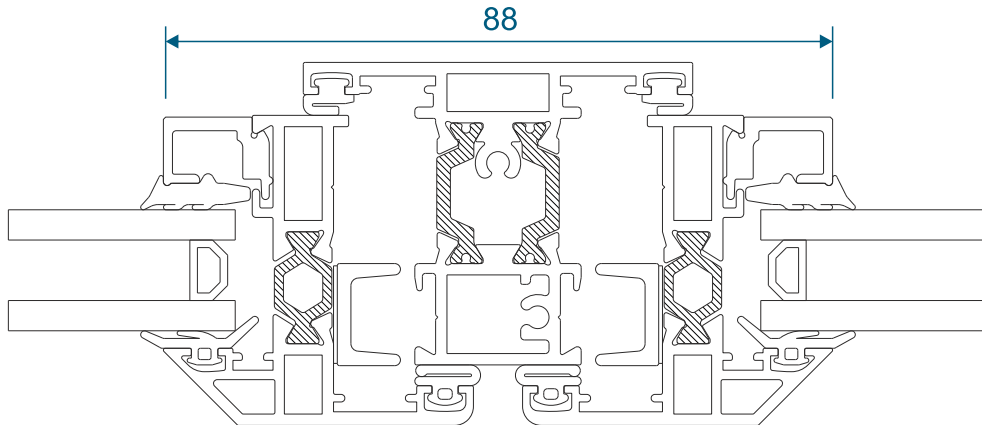


Opener Next To Fixed



Transom / Mullion Sections

Opener Next To Opener

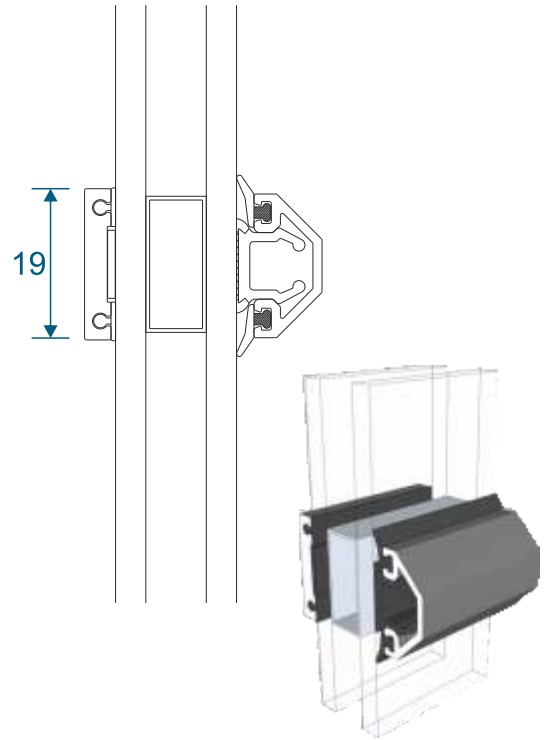


Astragal Bars

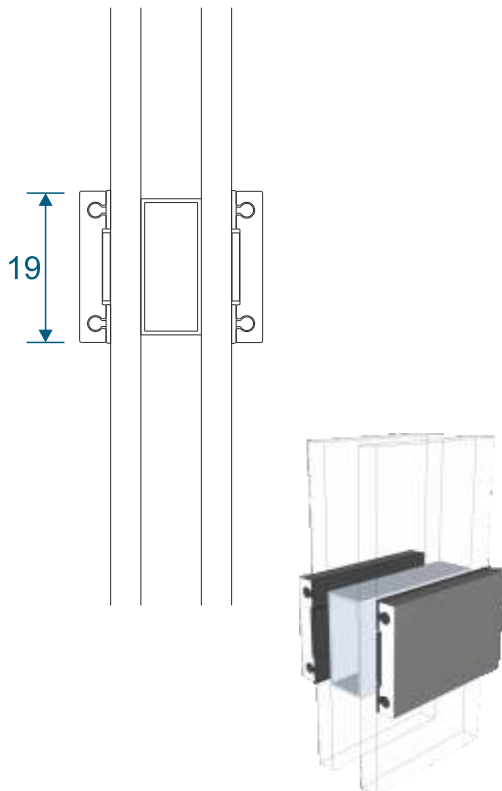
'A' Shaped In And Out

Not available on the
Transom version of
this window.

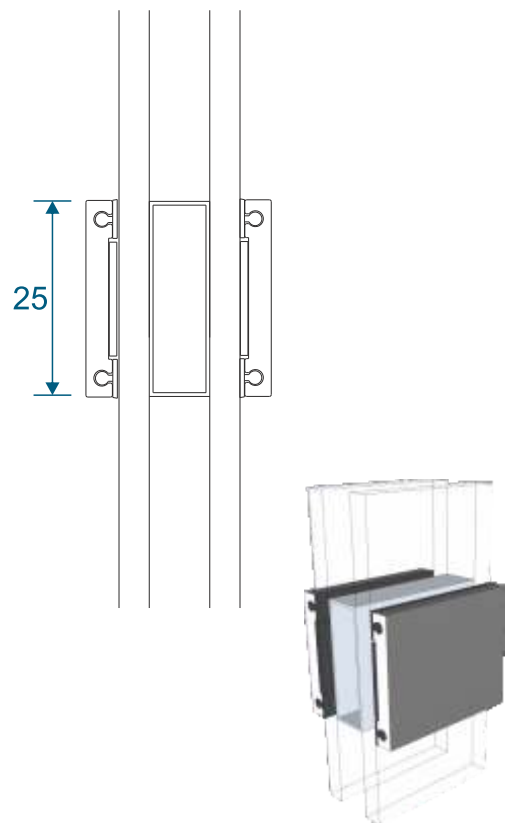
'A' Shaped Out / 19mm Flat In



19mm Flat In And Out



25mm Flat In And Out



Main Office & Factory

Units 4-5, t: 01268 681612 (20 lines)
Charfleets Road, f: 01268 510058
Canvey Island, e: sales@duration.co.uk
Essex. SS8 0PQ w: www.duration.co.uk

Grand Design Exhibition Centre

Unit 1 Casino Parade, t: 01268 695100
Eastern Esplanade,
Canvey Island, SatNav Directions
Essex. SS8 7FJ Use: SS8 7DN.